

Soil Sensor V04



Technical Datasheet Sensor V04

version 0.1

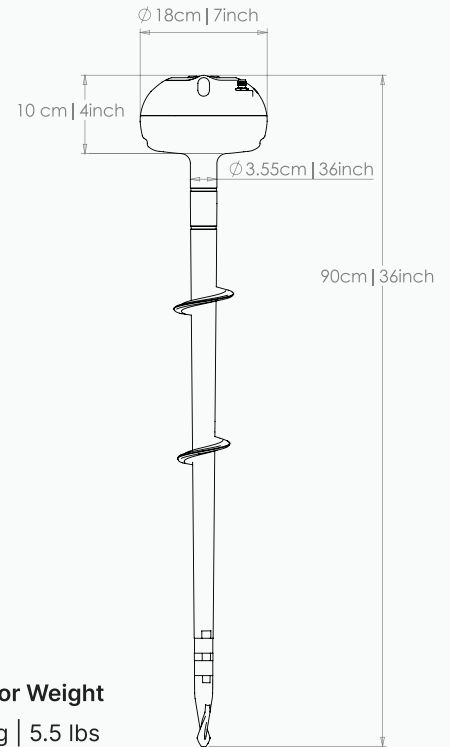
PRODUCT SPECIFICATION

Measurement	Soil moisture – 3 depths Electrical conductivity – 3 depths Temperature – 2 depths	
Power Supply	4.2V 10Ah Rechargeable Li-ion	
Operating Voltage	3.6 V Nominal	
Operating Temperature	-10 °C to 70 °C	-14°F to 158°F
Storage Temperature	-30 °C to 85 °C	-22°F to 185°F
Antenna Type	N-Type, 700-2700 MHz	
Safety	CE, FCC, RoHS	

MEASUREMENTS

Soil moisture measurement depths	25, 40, 66 cm 8, 16, 26 inch	
Soil moisture measurement protocol	CropX Algorithm	
Soil moisture Range and Accuracy	Moisture [VWC]: 0% - 60% +/-1%	
Soil pore water conductivity	ECpw(dS/m): 0.05-18 +/- 0.1	
Temperature measurement depth	8, 16 inch 25, 40 cm	
Temperature Range	59 - 140 [F] (-15) - (+60) [C°]	
Temperature Accuracy	+/- 2[F] +/- 1[C°]	
Temperature Range	59 - 140 [F] (-15) - (+60) [C°]	

PHYSICAL DIMENSIONS



INTERFACE & MANAGEMENT

Communication	Cellular: 2G/3G/4G (CAT-1 or CAT-M1) Bluetooth Low Energy (BLE)
Measurement	Length 30ms. Frequency every 30m (Customized) Cloud transmission is every 12 hours (Customized)
Data interface	CropX App or Website (iOS, Android)